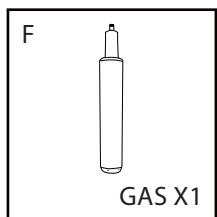
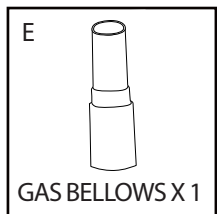
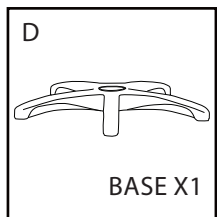
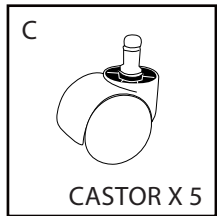
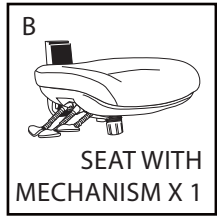
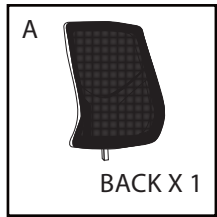


H1 Force

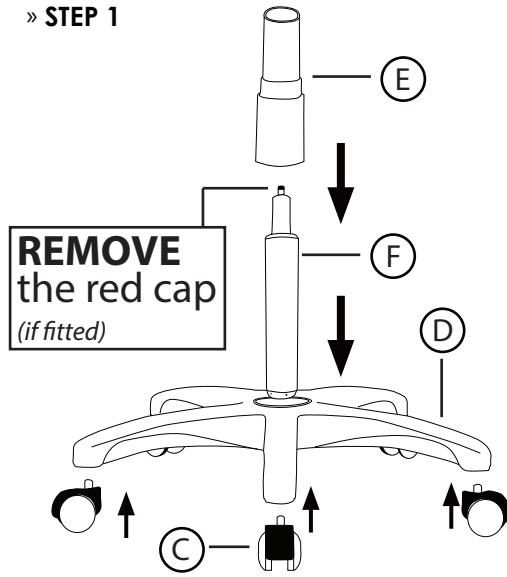
» ASSEMBLY INSTRUCTIONS

» PARTS

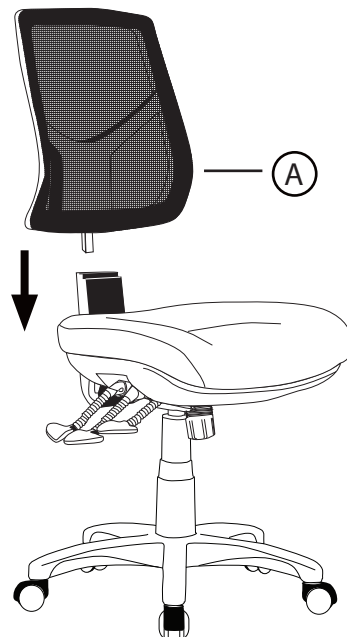


» STEPS

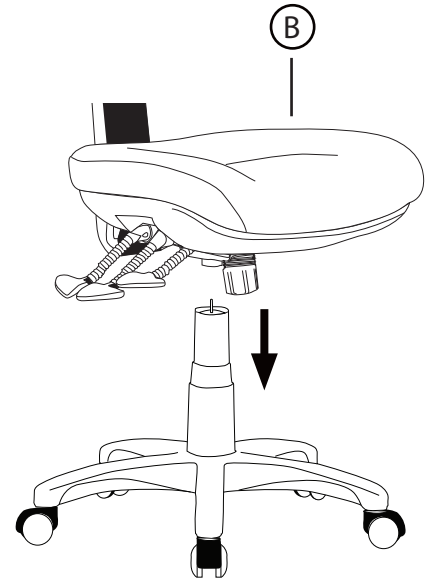
» STEP 1



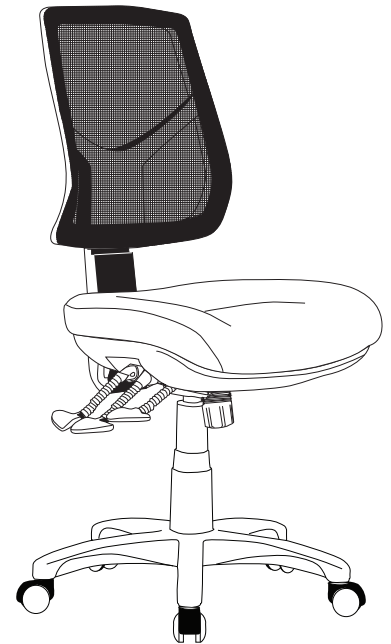
» STEP 3



» STEP 2



» STEP 4

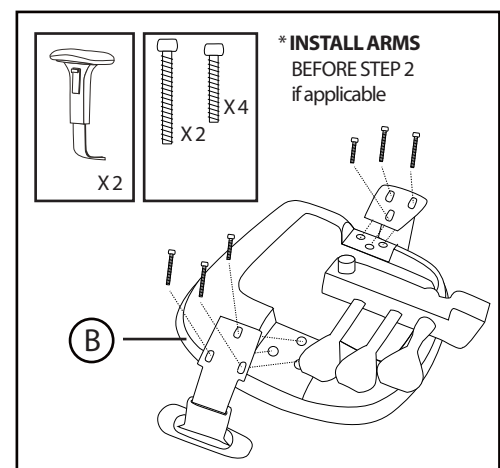


PREVENTIVE MAINTENANCE AND WARNING

- » **USE** this product only for seating one person at a time.
- » **DO NOT** use this chair as a step stool/ladder.
- » **DO NOT** sit on any part of the chair except the seat.
- » **DO NOT** use chair on uneven floor surfaces.
- » **DO NOT** use chair unless all bolts, screws are tight.
At least every 6 months check all bolts, screws to be sure they are tight.

IF ANY PARTS ARE MISSING, BROKEN, DAMAGED OR WORN, STOP USE OF THE PRODUCT UNTIL REPAIRS ARE MADE USING FACTORY AUTHORIZED PARTS.

FAILURE TO FOLLOW THESE WARNINGS COULD RESULT IN SERIOUS INJURY.

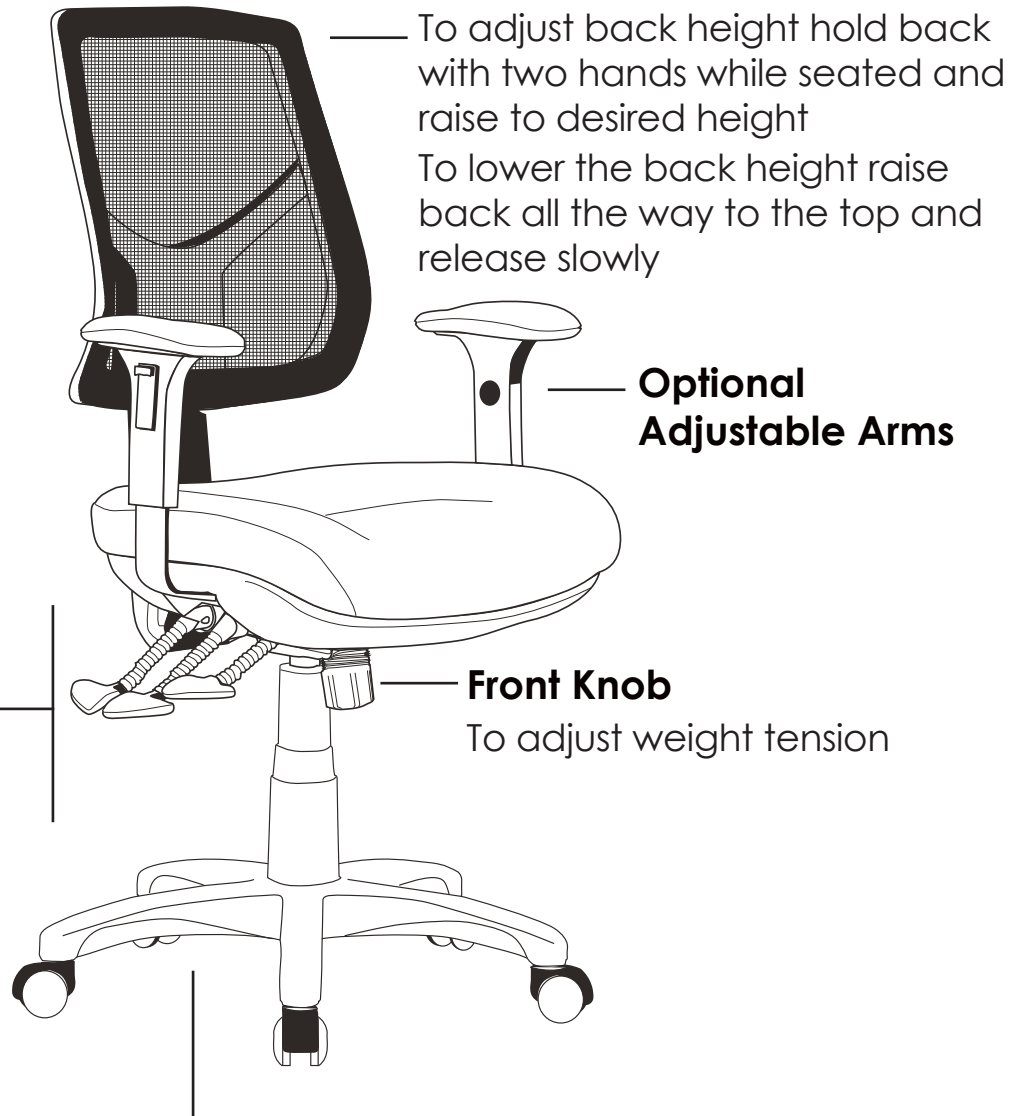


» **INSTRUCTIONS OF USE**



X Do not use as a step ladder

Indoor use only



To adjust back height hold back with two hands while seated and raise to desired height
To lower the back height raise back all the way to the top and release slowly

Optional Adjustable Arms

Right Back Lever

To adjust back angle

Right Middle Lever

To adjust seat angle

Right Front Lever

To adjust seat height

Front Knob

To adjust weight tension

Five-star Base and Castors

Use soft tyred castors for tiles

Use hard tyred castors for carpet

- » Vacuum regular
- » Regularly adjust mechanism angle
- » Regularly adjust gas height
- » All warranty claims to be forwarded to place of purchase
- » Warranty covers components and workmanship only
- » Damage or wear and tear not covered by warranty
- » Misuse or abuse will not be covered under warranty