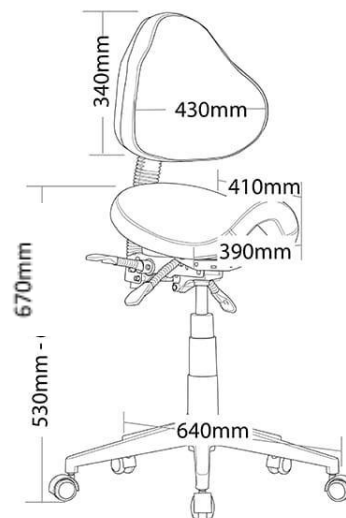


VIN Saddle Stool with Backrest



Provides natural postural advantages of a saddle seat, and helps the user maintain an upright posture when sitting.

The VIN Saddle Stool with backrest features a tilt and height mechanism, black upholstered PU seat and black nylon base.



A Saddle Stool providing upright seating posture. Suitable in a wide range of different working environments.

Capabilities

- Seat pan depth = 410mm
- Seat pan width = 390mm
- Backrest width = 430mm
- Backrest height = 340mm
- Seat height range = 530-670mm
- 120kg weight limit
- Minor assembly required

Features

- Adjustable seat tilt and height
- 600mm Black nylon star base
- Backrest with added support
- Upholstered PU seat
- Hard castors for carpet flooring
- 2 lever mechanism

Options

- Soft castors for hard floors
- Glides - feet to keep the stool stationary